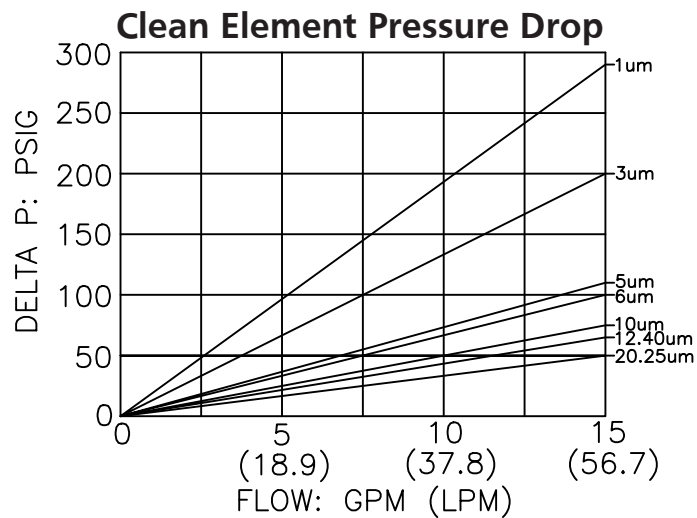
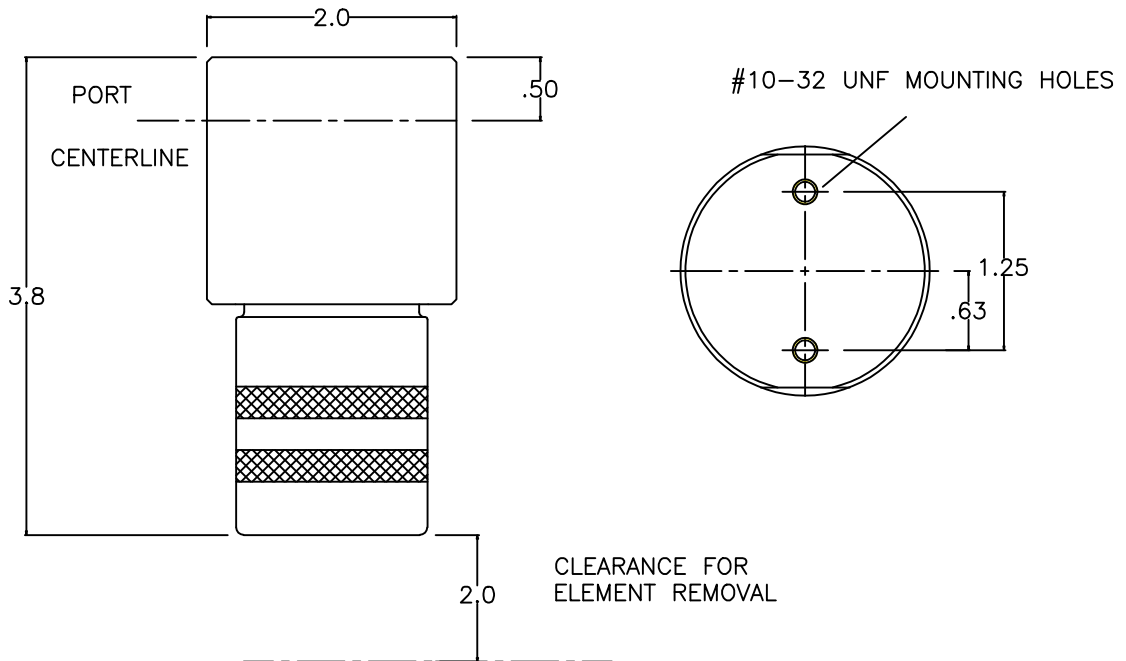


41 Series *Mini Tee-Type Filters*



- ▶ Flows up to 1.5 GPM
- ▶ Up to 10,000 PSI
- ▶ Available in 316 (5K) and 17-4PH (10K) stainless steel
- ▶ A Wide Range of Micron Ratings Available
- ▶ 1/4" FNPT

MINI TEE-TYPE FILTERS



41 Series How to Order

Example Part Number

A	B	C	D	E	F	G	H		
41	P	-	1	4	P	-	10S	E	N

Section A	Description	Code		
Filter Series	Mini Tee-Type	41		
Section B				
Housing Material	17-4 PH SS - 10,000 PSI	P		
& Pressure	316 SS - 5,000 PSI	T		
Section C				
Flow	1.5 GPM / 50 SCFM	1		
Section D				
Inlet/Outlet Port	1/4"	4		
Section E				
Inlet/Outlet Type	NPT	P		
Section F				
	Material	Micron/Nom	Micron/Abs	
Micron Rating/ Material	316 Sintered SSTL	0.2	.2P	
	316 Sintered SSTL	0.7	.7P	
	316 Sintered SSTL	2	2P	
	316 Sintered SSTL	5	5P	
	Microglass	1	1M	
	Microglass	3	3M	
	Microglass	5	5M	
	Microglass	10	10M	
	Microglass	25	25M	
	304 SSTL	2	10	10S
	304 SSTL	5	18	18S
	304 SSTL	10	25	25S
	304 SSTL	40	75	75S
	304 SSTL	75	100	100S
	304 SSTL	100	200	200S
	Section G			
Collapse Rating	300 PSID Microglass		C	
	3250 PSID Microglass		D	
	4500 PSID Stainless Wire		E	
	2000 PSID 316 Sintered		F	
Section H				
O-Ring Material	Buna	N	N	
	Viton®	V	V	
	EPR	E	E	
	Kalrez®	K	K	
	Teflon Encapsulated Viton	S	S	

Replacement Element

A	F	G	H
41	-	10S	E

Section A	Description	Code
Element	Element Size	41
Section F		
Micron/Material	See Section F Above For Code	10S
Section G		
Collapse Rating	See Section G Above For Code	E
Section H		
O-Ring Material	See Section H Above For Code	N